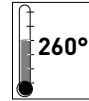


Detector Switches

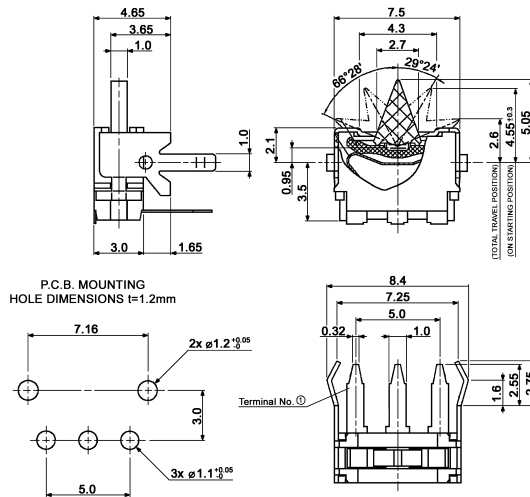


Specifications:

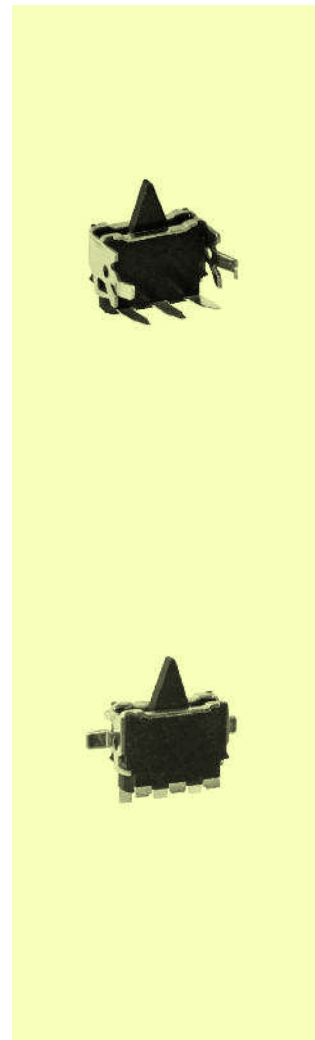
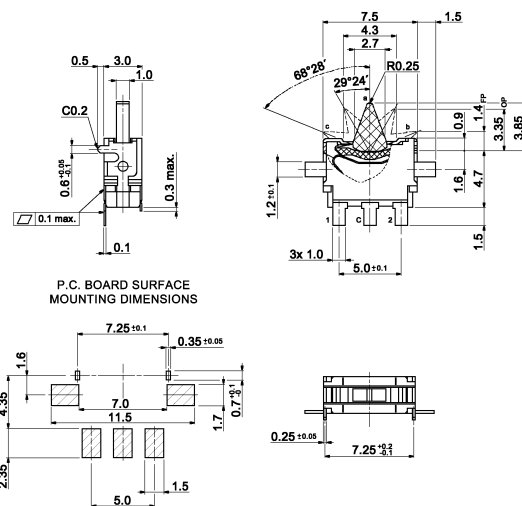
Contact rating:	5V DC, 10 mA
Contact resistance:	< 500 mΩ
Insulation resistance:	> 100 MΩ
Dielectric strength:	100 V, 50 Hz for the duration of 1 minute
Operating temperature:	-40 °C to +85 °C (DT 316 C-R: -40 °C to +100 °C)
Operating force:	≤ 0.15 N
Mechanical life:	minimum 3 000 000 operations
Material:	Contacts, Terminals: phosphor-bronze, silver-plated Case and actuator: HTN, black Cover: steel, tin-plated

Models: Switching functions

DT 316 C-R off – mom



DTS 316 CPR-T off – mom



Packing: DT 316 C-R: bag
DTS 316 CPR-T: 1000 pcs/reel